

MINIMO COLLECTION

SPRING SUMMER 2020



MINIMAL. BOLD. BEAUTIFUL.

ORGANIC IN FORM, STYLISH IN APPEARANCE, THE 'MINIMO' COLLECTION WAS DESIGNED WITH MINIMALISM AND COMFORT IN MIND.

INNER CONSTRUCTION BOASTS SOLID ALDER WOOD WITH HIGH LEVELS OF CRAFTSMAN DETAIL. RESILIENT URETHANE FOAM, DOWN FILLED PILLOWS AND 'HAPPENING NOW' COLOR STORIES FOR FABRICS MAKE THIS FURNITURE LINE THE NEXT BEST INVESTMENT FOR YOUR RESIDENTIAL OR COMMERCIAL PROJECT.

FOR **FLIPPING DESIGN** BY DESIGNER - FERNANDO CUEVAS

MADE IN LOS ANGELES, CA. USA. ALL RIGHTS RESERVED. 2020

WWW.FLIPPINGDESIGN.COM/MINIMO-COLLECTION



EENEE CHAIR

SS20

DIMENSIONS in.

HEIGHT 27 | SH 16 | WIDTH 31 | DEPTH 33

Manufactured in Los Angeles, CA



SUPERFICIAL DETAILS

DETALLES SUPERFICIALES | DÉTAILS SUPERFICIELS | DETAGLI SUPERFICI

Upholstered Chair with stained Alder wood legs. Optional: Black Oak, Walnut or bleached Walnut wood legs. Manufactured in Los Angeles, CA

Silla tapizada con patas de madera de aliso teñida. Opcional: Patas de madera de roble negro, nogal o nogal blanqueado. Fabricado en Los Angeles, CA

Chaise rembourrée avec pieds en bois d'aulne teinté. Optionnel: Pieds en chêne noir, noyer ou noyer blancs. Fabriqué à Los Angeles, CA

Sedia imbottita con gambe in legno di ontano tinto. Opzionale: Gambe in legno di rovere nero, noce o sbiancato. Prodotto a Los Angeles, California

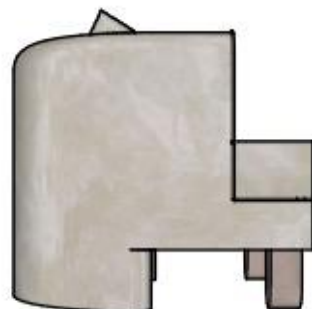
INTERIOR CONSTRUCTION

CONSTRUCCION INTERIOR | CONSTRUCTION INTÉRIEURE | COSTRUZIONE INTERNA



Inner frame made of solid Alder wood. Hand tied springs with soundproofing twine. Resilient Arm foam. Seat cushion made with resilient urethane foam. Support pillow made with 75/25 Down-Feather and Poly fiber.

Marco interior de madera maciza de aliso. Resortes atados a mano con hilo de insonorización. Brazo resistente de espuma. Cojín de asiento hecho con espuma de uretano resistente. Almohada de apoyo hecha con 75/25 Pluma y fibra de poliéster.



Cadre intérieur en bois d'aulne massif. Ressorts noués à la main avec ficelle insonorisante. Mousse de bras résilient. Coussin d'assise en mousse d'uréthane élastique. Oreiller de soutien en plumes 75/25 et fibre Poly.



Struttura interna in legno di ontano massiccio. Molle legate a mano con spago insonorizzante. Schiuma per braccio resistente. Cuscino del sedile realizzato con schiuma di uretano resistente. Cuscino di supporto realizzato in piuma d'oca 75/25 e fibra di poliestere.

Flipping Design

www.flippingdesign.com/minimo-collection

phone : + 1 (310) 962 2038 . email : info@flippingdesign.com

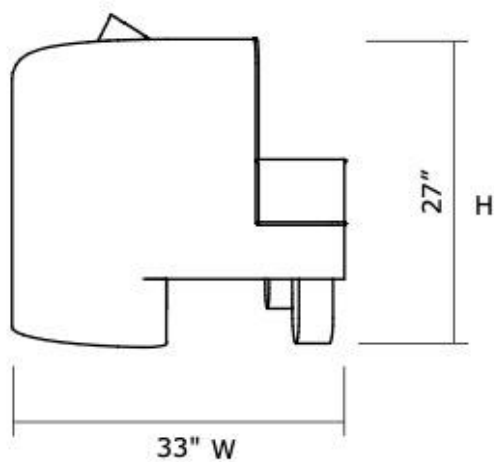
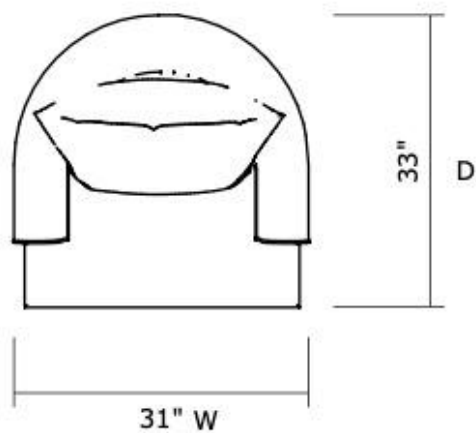
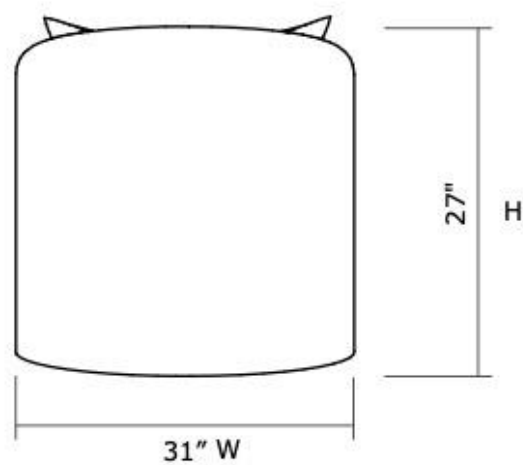
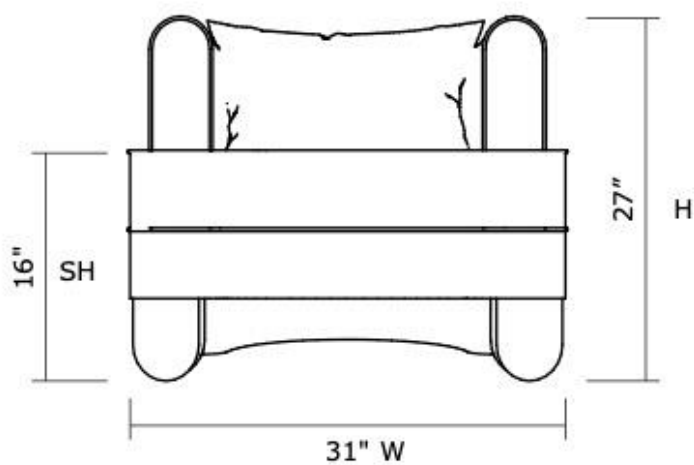


EENEE CHAIR

SS20

	IN	MM
H	27	659
SH	16	406
W	31	787
D	33	838

OVERALL DIMENSIONS



Flipping Design

www.flippingdesign.com/minimo-collection

phone : + I (310) 962 2038 . email : info@flippingdesign.com



MEENEE BENCH SS20

OVERALL DIMENSIONS in.

SEAT HEIGHT 16 | WIDTH 39 | DEPTH 15

Manufactured in Los Angeles, CA



SUPERFICIAL DETAILS

DETALLES SUPERFICIALES | DÉTAILS SUPERFICIELS | DETAGLI SUPERFICI

Upholstered Bench with gray stained solid Alder wood legs. Optional: Black Oak, Walnut or bleached Walnut wood legs. Manufactured in Los Angeles, CA

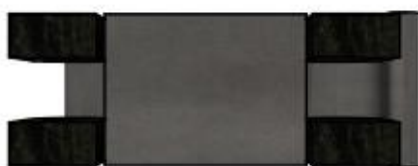
Banco tapizado con patas de madera de aliso macizo teñido de gris. Opcional: Patas de madera de roble negro, nogal o nogal blanqueado. Fabricado en Los Angeles, CA

Banc rembourré avec pieds en bois d'aulne massif teinté gris. Optionnel: Pieds en chêne noir, noyer ou noyer blancs. Fabriqué à Los Angeles, CA

Panca imbottita con gambe in massello di ontano tinto grigio. Opzionale: Gambe in legno di rovere nero, noce o sbiancato. Prodotto a Los Angeles, California

INTERIOR CONSTRUCTION

CONSTRUCCION INTERIOR | CONSTRUCTION INTÉRIEURE | COSTRUZIONE INTERNA



Inner frame made of solid wood. Resilient high-density foam cushion wrapped in dacron.

Marco interior de madera maciza. Cojín de espuma elástica de alta densidad envuelto en dacrón.

Cadre intérieur en bois massif. Coussin en mousse haute densité élastique enveloppé de dacron.

Comice interna in legno massello. Cuscino elastico in schiuma ad alta densità avvolto in dacron.

Flipping Design

www.flippingdesign.com/minimo-collection

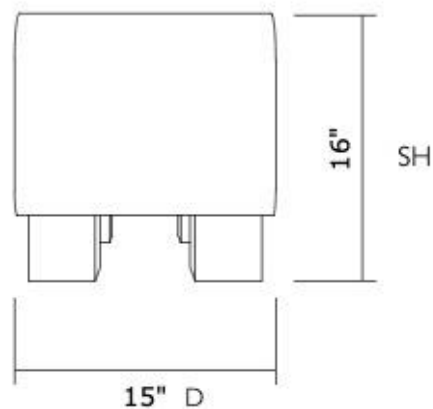
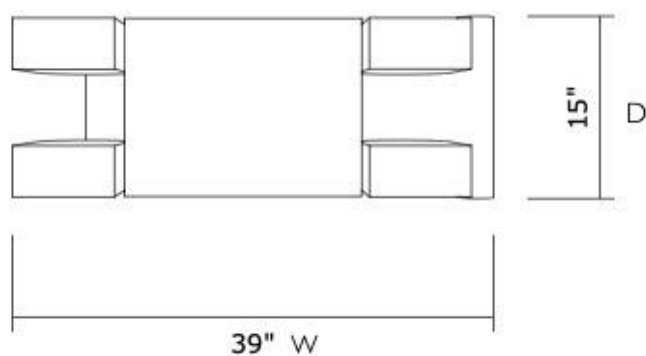
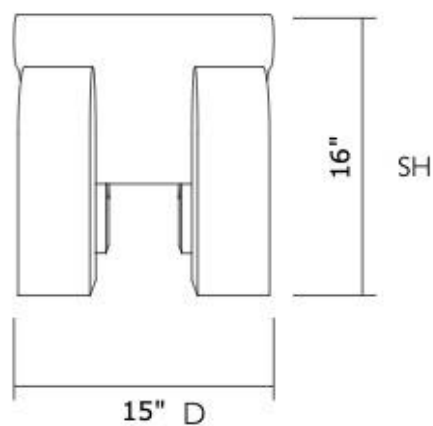
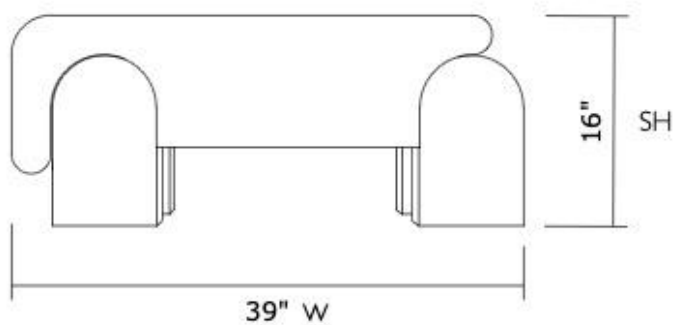
phone : + 1 (310) 962 2038 . email : info@flippingdesign.com



MEENEE BENCH SS20

	IN	MM
SH	16	406
W	39	991
D	15	381

OVERALL DIMENSIONS



Flipping Design

www.flippingdesign.com/minimo-collection

phone : + 1 (310) 962 2038 . email : info@flippingdesign.com

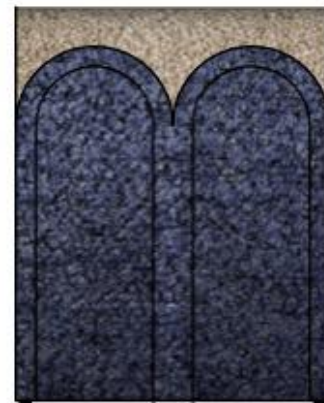


MYNEE STOOL SS20

OVERALL DIMENSIONS in.

HEIGHT 32 | SH 16 | WIDTH 71.5 | DEPTH 36

Manufactured in Los Angeles, CA



SUPERFICIAL DETAILS

DETALLES SUPERFICIALES | DÉTAILS SUPERFICIELS | DETAGLI SUPERFICI

Upholstered Stool chair. Contrast piping around front arches to embody essence of the 'Minimo Collection.'

Taburete tapizado silla. Tubería de contraste alrededor de los arcos frontales para encarnar la esencia de la "Colección Minimo".

Chaise Tabouret rembourrée. Passepoil contrastant autour des arches avant pour incarner l'essence de la «Collection Minimo».

Sedia imbottita con sgabello. Profili a contrasto attorno agli archi anteriori per incarnare l'essenza della "Collezione Minimo".

INTERIOR CONSTRUCTION

CONSTRUCCION INTERIOR | CONSTRUCTION INTÉRIEURE | COSTRUZIONE INTERNA



Inner frame made of solid Alder wood. Seat cushion made with resilient urethane foam. Gliders installed at feet for easy movement.

Marco interior de madera maciza de aliso. Cojín de asiento hecho con espuma de uretano resistente. Planeadores instalados a los pies para facilitar el movimiento.

Cadre intérieur en bois d'aune massif. Coussin d'assise en mousse d'uréthane élastique. Planeurs installés aux pieds pour un déplacement facile.

Struttura interna in legno di ontano massiccio. Cuscino del sedile realizzato con schiuma di uretano resistente. Alianti installati ai piedi per un facile spostamento.

Flipping Design

www.flippingdesign.com/minimo-collection

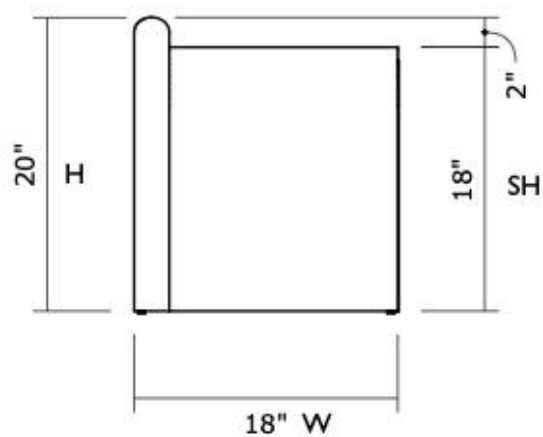
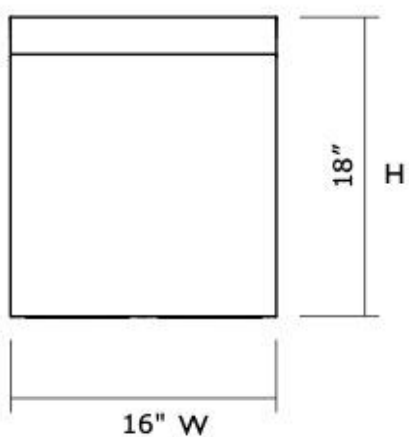
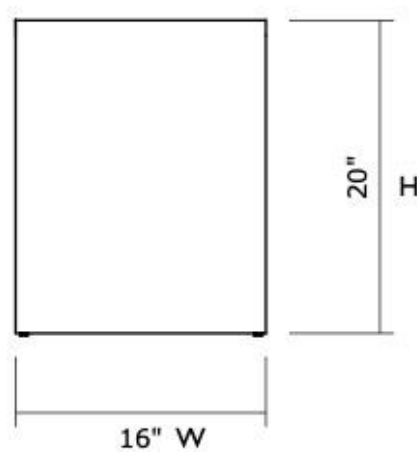
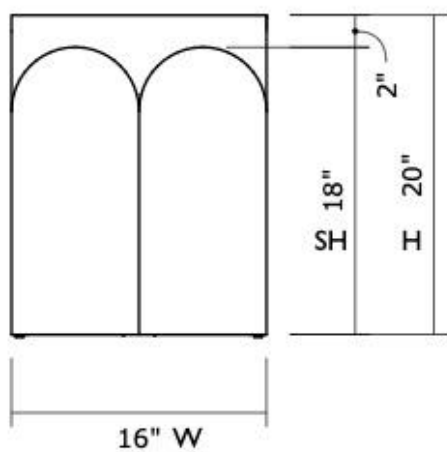
phone : + 1 (310) 962 2038 . email : info@flippingdesign.com



MYNEE STOOL SS20

	IN	MM
H	20	508
SH	18	457
W	16	406
D	18	457

OVERALL DIMENSIONS



Flipping Design

www.flippingdesign.com/minimo-collection

phone : + I (310) 962 2038 . email : info@flippingdesign.com



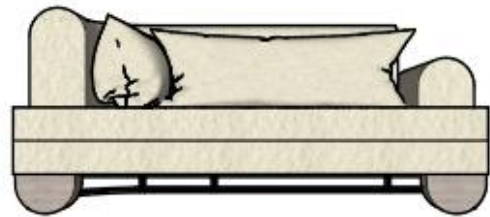
OVERALL DIMENSIONS in.

HEIGHT 32 | SH 16 | WIDTH 71.5 | DEPTH 36

Manufactured in Los Angeles, CA

SUPERFICIAL DETAILS

DETALLES SUPERFICIALES | DÉTAILS SUPERFICIELS | DETAGLI SUPERFICI



Upholstered Chaise Lounger with stained Alder wood legs. Black powder coated Aluminum frame Optional: Black Oak, Walnut or bleached Walnut wood legs. Manufactured in Los Angeles, CA

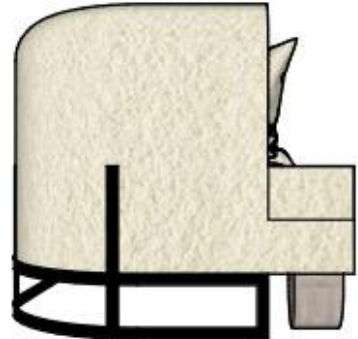
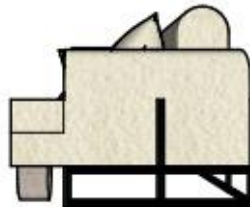
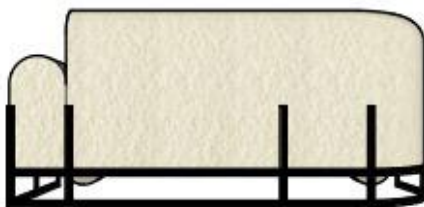
Tumbona tapizada con patas de madera de aliso teñidas. Estructura de aluminio con recubrimiento de polvo negro. Opcional: Patas de madera de roble negro, nogal o nogal blanqueado. Fabricado en Los Angeles, CA

Chaise longue rembourrée avec pieds en bois d'aulne teinté. Cadre en aluminium enduit de poudre noire. Optionnel: Pieds en chêne noir, noyer ou noyer blancs. Fabriqué à Los Angeles, CA

Chaise longue imbottita con gambe in legno di ontano colorato. Telaio in alluminio verniciato a polvere nero. Opzionale: Gambe in legno di rovere nero, noce o sbiancato. Prodotto a Los Angeles, California

INTERIOR CONSTRUCTION

CONSTRUCCION INTERIOR | CONSTRUCTION INTÉRIEURE | COSTRUZIONE INTERNA



Inner frame made of solid Alder wood. Hand tied springs with soundproofing twine. Resilient Arm & Back foam. Seat cushion made with resilient urethane foam. Support pillows made with 75/25 Down-Feather and Poly fiber.

Marco interior de madera maciza de aliso. Resortes atados a mano con hilo de insonorización. Brazo y Espalda de espuma resistente. Cojín de asiento hecho con espuma de uretano resistente. Almohadas de apoyo hecha con 75/25 Pluma y fibra de poliéster.

Cadre intérieur en bois d'aulne massif. Ressorts attachés à la main avec ficelle insonorisante. Bras résilient et mousse arrière. Coussin de siège fait de mousse d'uréthane résistante. Oreillers de soutien faits avec 75/25 Plume vers le bas et Poly fibre.

Telaio interno in legno di ontano solido. Molle legate a mano con spago insonorizzato. Braccio resiliente & schiuma posteriore. Cuscino del sedile realizzato con schiuma di uretano resistente. Cuscini di supporto realizzati con 75/25 Piuma down e fibra Poly.

Flipping Design

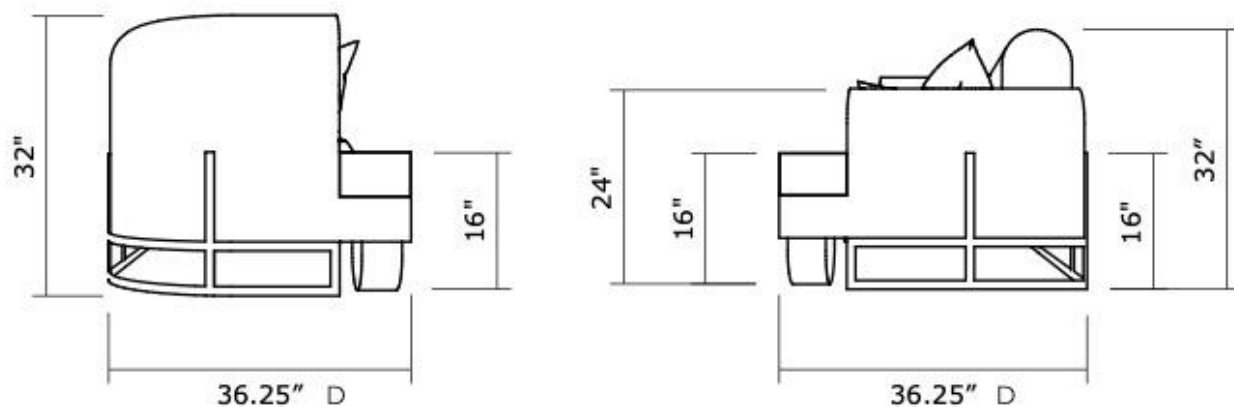
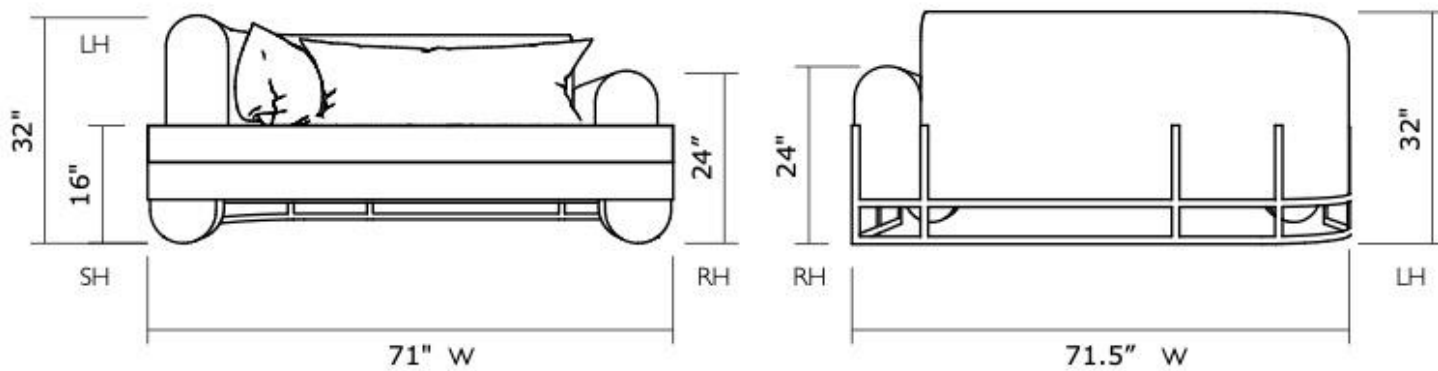
www.flippingdesign.com/minimo-collection

phone : + 1 (310) 962 2038 . email : info@flippingdesign.com



H	32	813
SH	16	406
W	71.5	1816
D	36.25	921
RH	24	610
LH	32	813

OVERALL DIMENSIONS



Flipping Design

www.flippingdesign.com/minimo-collection

phone : + 1 (310) 962 2038 . email : info@flippingdesign.com



I only put my name on furniture built with pride. – Fernando Cuevas / Designer

FABRICS



MUTED TIE DYE



**ARTEMIDOR
BY DEDAR**



**KARAKORUM
BY DEDAR**



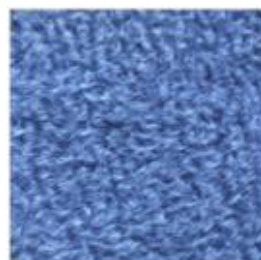
BLISS



TEDDIE



PLUMP



BUBBLE



JUNE

MORE FABRIC OPTIONS AVAILABLE

Flipping Design

www.flippingdesign.com/minimo-collection

phone : + 1 (310) 962 2038 . email : info@flippingdesign.com

JOIN OUR TRADE PROGRAM FOR EXCLUSIVE PRICING